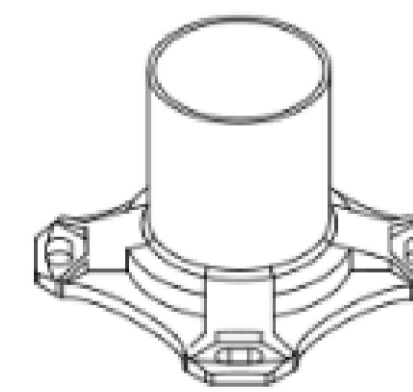
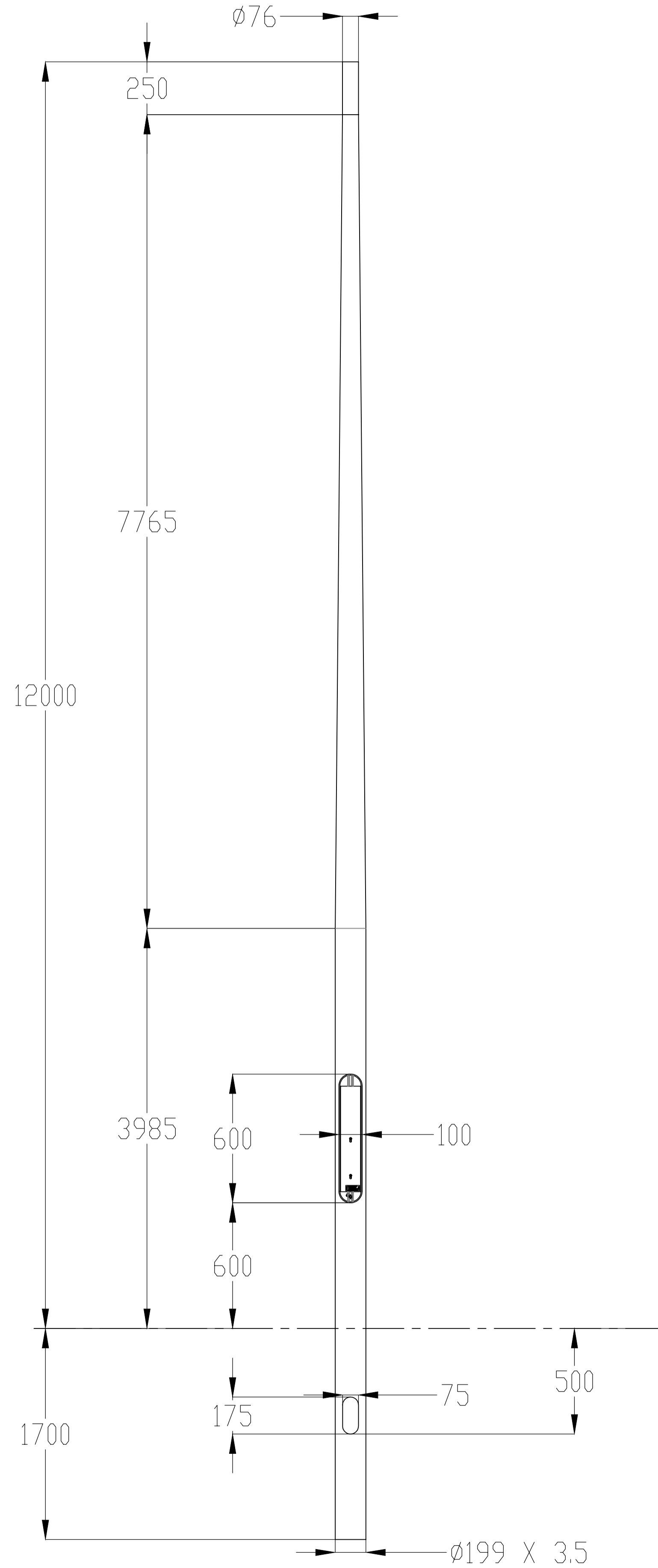


I:\uofpp011\Transportation\Technology\WCC Standard Details\Drawings\Aluminium column details\Aluminium Post Top Column Details\Aluminium Column Spec.dwg - 07/01/2025 01:45:56 - 1307 12m Column - KWESID



Flange

FLANGE MOUNTING OPTIONS AVAILABLE UPON REQUEST FROM MANUFACTURER AND APPROVAL FROM W.C.C. STREET LIGHTING TEAM.

**NOTES**

1. DO NOT SCALE FROM THIS DRAWING.
2. ALL DIMENSIONS ARE IN MILLIMETRES UNLESS STATED OTHERWISE.

**INSTALLATION NOTES**

ONLY RECOGNISED LIGHTING CONTRACTORS SHALL BE USED FOR STREET LIGHTING AND ILLUMINATED SIGNS & BOLLARDS INSTALLATION WORKS. THEY SHALL BE APPROVED BY THE OVERSEEING ENGINEER. THEY MUST ALSO BE MEMBERS OF ASLEC AND HERS. CURRENT MEMBERSHIP NUMBERS FOR THESE BODIES MUST BE PROVIDED TO THE SUPERVISING AUTHORITY PRIOR TO APPROVAL OF THE PROPOSED LIGHTING CONTRACTOR. THE APPROVED LIGHTING CONTRACTOR SHALL NOT SUB-CONTRACT ANY PART OF THE WORKS.

THE DESIGN IS BASED ON INSTALLATION BEING CONDUCTED BY THE FRAMEWORK CONTRACTOR UNDER WORCESTERSHIRE COUNTY COUNCIL (W.C.C.) STREET LIGHTING AND ILLUMINATED ROAD TRAFFIC SIGNS MAINTENANCE CONTRACT AND NEC X12 CLAUSE.

ALL MATERIALS SHALL BE TO THE RELEVANT BRITISH STANDARD. SITE WORKS SHALL COMPLY IN GENERAL WITH DEPARTMENT OF TRANSPORT SPECIFICATION FOR HIGHWAY WORKS, AND SHALL ALSO CONFORM TO:

- THE ELECTRICITY AT WORK REGULATIONS (1989)
- THE HEALTH AND SAFETY AT WORK ACT
- CHAPTER 8 OF THE TRAFFIC SIGNS MANUAL
- THE CONTROL OF SUBSTANCES HAZARDOUS TO HEALTH REGULATIONS 2002
- THE CONSTRUCTION (DESIGN AND MANAGEMENT) (CDM) REGULATIONS 2015

ERECTION AND INSTALLATION WORKS SHALL COMPLY WITH THE CURRENT ISSUE AND AMENDMENTS OF BS7671: 18TH EDITION IET WIRING REGULATIONS 2018 REQUIREMENTS FOR ELECTRICAL INSTALLATIONS, THE CURRENT EDITIONS OF THE ILP CODE OF PRACTICE FOR ELECTRICAL SAFETY IN PUBLIC LIGHTING OPERATIONS AND THE CODE OF PRACTICE FOR THE ERECTION OF STREET LIGHTING PUBLISHED BY THE ASSOCIATION OF STREET LIGHTING ELECTRICAL CONTRACTORS.

ALL MATERIALS AND EQUIPMENT SHALL COMPLY WITH W.C.C. SPECIFICATION. ANY MATERIALS OR EQUIPMENT PROPOSED BY THE CONTRACTOR SHALL BE SUBMITTED TO W.C.C. FOR APPROVAL BEFORE ANY PURCHASE AGREEMENT IS ENTERED INTO.

USE OF OUTREACH BRACKETS ON W.C.C. SPECIFICATION COLUMNS SHOULD BE APPROVED BY W.C.C. PRIOR TO INSTALLATION.

EXACT LOCATION OF LIGHTING UNITS TO BE AGREED WITH W.C.C. REPRESENTATIVE BEFORE INSTALLATION.

**STANDARD SPECIFICATION**

- MACHINE BRUSHED FINISH
- EARTH BOLT (INTERGRAL) IN DOOR EARTH BOLT (BASE COMPARTMENT) SECURED BY A2 S/S M8 X 30 BOLT, NUT & LOCKING WASHERS
- HARDWOOD BACKBOARD SECURED BY A2 S/S M6 SCREWS
- FLUSH FITTING DOOR WITH DUAL TAMPERPROOF DOOR LOCKS
- THERMOPLASTIC ROOT PROTECTION
- COLUMN BASE PROTECTOR
- CABLE ENTRY PROTECTOR
- TYPE 5 PRESSED STRESS INNER TUBE

THIS STANDARD DETAIL CONSTITUTES A GENERAL EXAMPLE ARRANGEMENT AND IS FOR INFORMATION/GUIDANCE ONLY. ALL EQUIPMENT SHOULD BE DESIGNED TO SUIT THE INDIVIDUAL REQUIREMENTS OF THE PROJECT IN QUESTION. THIS INCLUDES DESIGN DETAILS SUCH AS, BUT NOT LIMITED TO, FEEDER PILLAR SIZE, CIRCUIT DESIGN, COLUMN DOOR HEIGHT, DUCT ARRANGEMENT ETC

P01	27/03/2023	FOR COMMENT AND REVIEW	WH	SW	SS	TB
Rev	Rev. Date	Purpose of revision	Drawn	Checked	Rev'd	Apprv'd

**JACOBS**  
7th FLOOR, 2 COLMORE SQUARE, 38 COLMORE CIRCUS  
QUEENSWAY, BIRMINGHAM, B4 6BN  
Tel: +44(0)121 237 4000 www.jacobs.com

Client  
**worcestershire county council**

Project  
WCC  
STANDARD DETAILS

Drawing title  
**ALUMINIUM 12m POST TOP COLUMN STANDARD DETAIL**

Drawing status  
FOR REVIEW AND COMMENT

Scale	1:500 @ A1	DO NOT SCALE
Jacobs No.	B2367205 A.CS.OE.NA.40	Rev P01
Client no.	WCC	

Drawing number  
**B2367205-SD-DR-HLG-1307**

Limitation: This drawing has been prepared on behalf of, and for the exclusive use of, Jacobs' Client, and is subject to, and issued in accordance with, the provisions of the contract between Jacobs and the Client. Jacobs accepts no liability or responsibility whatsoever for, or in respect of, any use of, or reliance upon, this drawing by any third party.